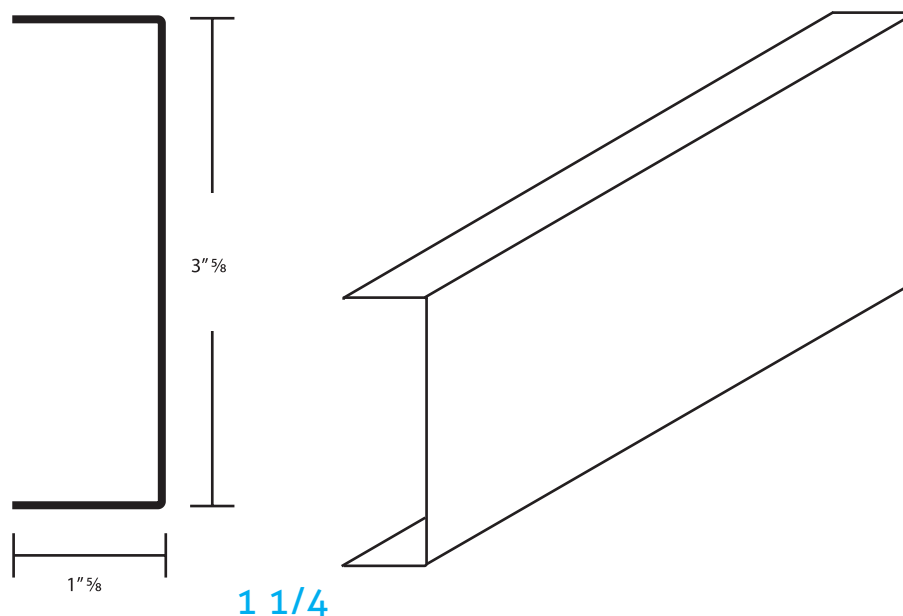


Structural Wall Track (SWT)

Structural product used for:

- Closure for stud and joint assemblies
- Head and sill conditions of wall openings
- Solid blocking for bridging conditions
- Miscellaneous struts, kickers, etc.



STRUCTURAL WALL TRACK

| Web (in) | PHYSICAL | | | | | GROSS | | | | | EFFECTIVE 33KSI | | | | | TORSIONAL | | | | |
|----------|----------|-------------|----------|-------------------------|----------------|------------------------------------|------------------------------------|---------------------|------------------------------------|---------------------|------------------------------------|------------------------------------|------------------------|---------|----------|---------------------------|-----------------------|---------|---------|-------|
| | Gauge | Flange (in) | Lip (in) | Area (in ²) | Weight (lb/ft) | I _{xx} (in ⁴) | S _{xx} (in ³) | R _x (in) | I _{yy} (in ⁴) | R _y (in) | I _{xx} (in ⁴) | S _{xx} (in ³) | Ma (in ^{-k}) | Va (lb) | Ycg (in) | Jx1000 (in ⁴) | Cw (in ⁶) | Xo (in) | Ro (in) | β |
| 2-1/2 | 16 | 1-1/4 | N/A | 0.282 | 0.961 | 0.318 | 0.236 | 1.062 | 0.043 | 0.392 | 0.310 | 0.203 | 4.013 | 1692 | 1.426 | 0.302 | 0.054 | -0.763 | 1.365 | 0.688 |
| 2-1/2 | 18 | 1-1/4 | N/A | 0.225 | 0.766 | 0.250 | 0.188 | 1.055 | 0.035 | 0.395 | 0.231 | 0.147 | 2.909 | 1356 | 1.454 | 0.153 | 0.042 | -0.767 | 1.362 | 0.683 |
| 2-1/2 | 20 | 1-1/4 | N/A | 0.156 | 0.531 | 0.173 | 0.131 | 1.053 | 0.025 | 0.397 | 0.145 | 0.090 | 1.771 | 832 | 1.507 | 0.051 | 0.030 | -0.773 | 1.365 | 0.679 |
| 3-5/8 | 16 | 1-1/4 | N/A | 0.346 | 1.177 | 0.723 | 0.378 | 1.445 | 0.048 | 0.373 | 0.705 | 0.332 | 6.564 | 2480 | 2.000 | 0.370 | 0.123 | -0.659 | 1.632 | 0.837 |
| 3-5/8 | 18 | 1-1/4 | N/A | 0.276 | 0.939 | 0.571 | 0.302 | 1.439 | 0.039 | 0.375 | 0.531 | 0.245 | 4.839 | 1739 | 2.035 | 0.187 | 0.097 | -0.663 | 1.628 | 0.834 |
| 3-5/8 | 20 | 1-1/4 | N/A | 0.191 | 0.650 | 0.395 | 0.210 | 1.438 | 0.027 | 0.378 | 0.339 | 0.153 | 3.012 | 762 | 2.095 | 0.062 | 0.068 | -0.669 | 1.630 | 0.832 |
| 4 | 16 | 1-1/4 | N/A | 0.367 | 1.250 | 0.904 | 0.431 | 1.569 | 0.049 | 0.366 | 0.883 | 0.381 | 7.524 | 2739 | 2.191 | 0.392 | 0.153 | -0.631 | 1.730 | 0.867 |
| 4 | 18 | 1-1/4 | N/A | 0.293 | 0.996 | 0.716 | 0.344 | 1.563 | 0.040 | 0.369 | 0.666 | 0.282 | 5.568 | 1739 | 2.227 | 0.199 | 0.122 | -0.635 | 1.727 | 0.865 |
| 4 | 20 | 1-1/4 | N/A | 0.203 | 0.690 | 0.495 | 0.239 | 1.562 | 0.028 | 0.371 | 0.427 | 0.177 | 3.480 | 689 | 2.289 | 0.066 | 0.085 | -0.640 | 1.729 | 0.863 |
| 6 | 16 | 1-1/4 | N/A | 0.480 | 1.635 | 2.344 | 0.756 | 2.209 | 0.054 | 0.335 | 2.299 | 0.666 | 13.140 | 2728 | 3.246 | 0.513 | 0.383 | -0.516 | 2.293 | 0.949 |
| 6 | 18 | 1-1/4 | N/A | 0.383 | 1.303 | 1.861 | 0.604 | 2.205 | 0.044 | 0.337 | 1.768 | 0.461 | 9.108 | 1377 | 3.412 | 0.260 | 0.306 | -0.519 | 2.290 | 0.949 |
| 6 | 20 | 1-1/4 | N/A | 0.265 | 0.902 | 1.288 | 0.417 | 2.204 | 0.031 | 0.340 | 1.095 | 0.249 | 4.908 | 456 | 3.726 | 0.086 | 0.215 | -0.524 | 2.291 | 0.948 |
| 8 | 16 | 1-1/4 | N/A | 0.594 | 2.020 | 4.745 | 1.158 | 2.827 | 0.057 | 0.309 | 4.668 | 0.940 | 18.576 | 2039 | 4.457 | 0.634 | 0.734 | -0.438 | 2.878 | 0.977 |
| 8 | 18 | 1-1/4 | N/A | 0.473 | 1.610 | 3.773 | 0.924 | 2.824 | 0.046 | 0.311 | 3.484 | 0.640 | 12.648 | 1030 | 4.708 | 0.321 | 0.588 | -0.440 | 2.875 | 0.977 |
| 8 | 20 | 1-1/4 | N/A | 0.328 | 1.115 | 2.611 | 0.642 | 2.824 | 0.032 | 0.314 | 2.113 | 0.339 | 6.696 | 341 | 5.136 | 0.106 | 0.412 | -0.445 | 2.876 | 0.976 |